

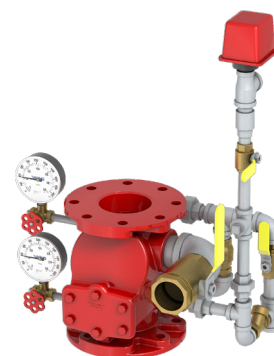


Trusted above all.



Wet Systems

Quick Reference Guide | EMEA





Introduction to Wet Systems

Viking is renowned for the development, manufacturing, sales and distribution of excellent fire protection technologies and has been a dependable partner in fire protection for many decades.

The broad product portfolio encompasses innovative and proven system components for water, foam and gas extinguishing systems as well as fire detection systems and is a reflection of Viking's unwavering focus on providing customers with the finest products and highest level of support.

Through Viking's dedicated and knowledgeable customer service, installers of fixed fire protection systems have access to those quality products and can place their trust in the professional and dedicated support services provided by Viking employees. From the smallest project to the largest endeavour, Viking is their single-point partner with the goal to provide the right material whenever and wherever needed.

Viking is passionate about fire protection and committed to the growth of the fixed fire protection industry. As Viking is completely focused and dedicated to this market, customers can have confidence that Viking has the expertise that they need to be successful. They can count on Viking's resources and technical expertise to help them whenever they have a challenge to overcome. And they can be sure to find the right product or solution for their project with the necessary approval or accreditation.

This quick reference guide provides an overview of Viking's comprehensive range of wet system valve assemblies and components. Besides access to those products, customers benefit from a market leading technical support team across Europe and the Middle East, which also holds regular technical training courses on water, foam, gas and detection systems, products and maintenance. Learn more at www.viking-emea.com.

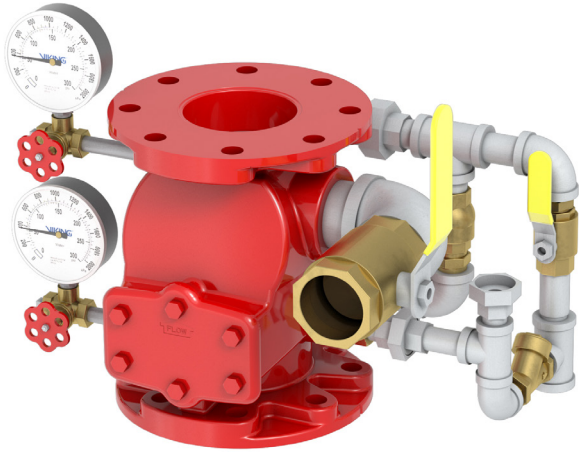
Table of contents

J-1 Wet Alarm Valve Systems	3
NMX Wet Alarm Valve Systems	4
J-1 Wet Valves	6
NMX Wet Valves	6
J-1 Eurotrim Components	7
NMX Trim Components	9
Town Water Connection	10

For all applicable approvals, please refer to the technical documentation or contact your local Viking sales office.

J-1 Wet Alarm Valve Systems

Eurotrim base valve J-1 | UL/FM/CE/LPCB | 21 bar (300 psi) working pressure



Approvals	UL, FM, LPCB, CE
Max. Working Pressure	20.7 bar (300 psi)
Material (Body)	Ductile iron
Sizes	3" (DN80) - 8" (DN200)
Types	Flange-Flange, Flange-Groove & Groove-Groove
Finishes	Painted red with galvanised trim

Base valve & trim : Valve sizes & end connections

Connection	Size	Type	Part number
Flange-Flange	3"/DN80	ANSI	ET08235
	3"/DN80	PN16	ET09108
	4"/DN100	ANSI	ET08238
	4"/DN100	PN16	ET09109
	6"/DN150	ANSI/PN16	ET08241
	8"/DN200	ANSI	ET08244
	8"/DN200	PN10	ET09111
Flange-Groove	3"/DN80	ANSI	ET08236
	3"/DN80	PN16	ET09535
	4"/DN100	ANSI	ET08239
	4"/DN100	PN16	ET09536
	6"/DN150 (168 mm)	ANSI/PN16	ET08242
	8"/DN200	ANSI	ET08245
	8"/DN200	PN10	ET09877
Groove-Groove	8"/DN200	PN16	ET12389
	3"/DN80	89 mm	ET08237
	4"/DN100	114 mm	ET08240
	6"/DN150	165 mm	ET09405
	6"/DN150	168 mm	ET08243
8"/DN200	219 mm	ET08246	

Eurotrim alarm trim | UL/FM/CE/LPCB | Includes PS10 alarm pressure switch and comes boxed with base valve



1 - UL/FM



2 - Holland



3 - France (APSAD)



4 - UK (LPCB)



5 - Finland



6 - Sweden



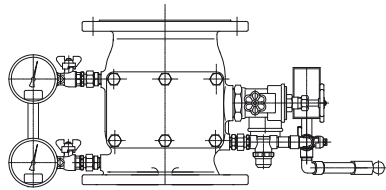
7 - Norway

Alarm trim		
No.	Trim	Part number
1	UL & FM	19420
2	Holland	19421
3	France (APSAD)	19418
4	UK (LPCB)	19416
5	Finland	19417
6	Sweden	19419
7	Norway	19422



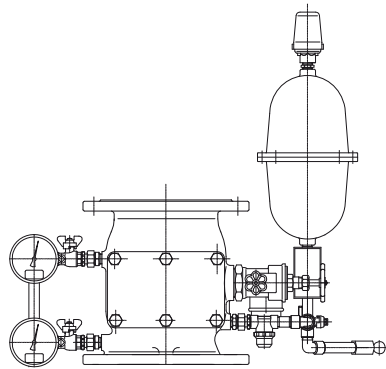
NMX Wet Alarm Valve Systems

FM/CE/VdS | Includes PMA alarm pressure switch | 16 bar (232 psi) working pressure



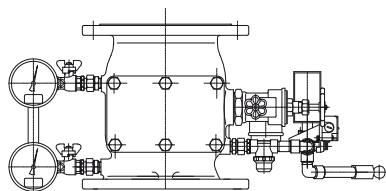
Connection	Size	Type	Part number
Groove-Groove	3"/DN80	89 mm	850548
	4"/DN100	114 mm	850561
	6"/DN150	168 mm	850574
	8"/DN200	219 mm	850587

FM/CE/VdS | Includes PMA alarm pressure switch with retard chamber | 16 bar (232 psi) working pressure



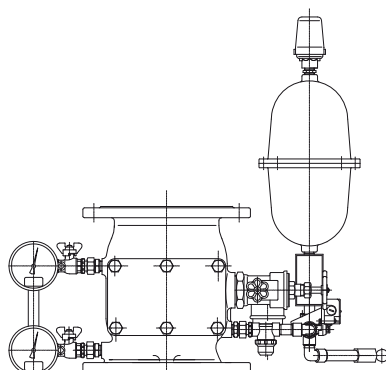
Connection	Size	Type	Part number
Groove-Groove	3"/DN80	89 mm	850549
	4"/DN100	114 mm	850562
	6"/DN150	168 mm	850575
	8"/DN200	219 mm	850588

FM/CE/VdS | Includes PMA alarm pressure switch with monitoring | 16 bar (232 psi) working pressure



Connection	Size	Type	Part number
Groove-Groove	3"/DN80	89 mm	850550
	4"/DN100	114 mm	850563
	6"/DN150	168 mm	850576
	8"/DN200	219 mm	850589

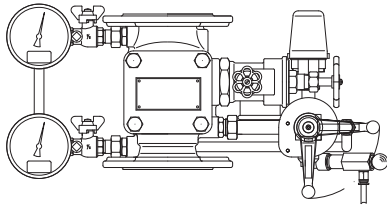
FM/CE/VdS | Includes PMA alarm pressure switch with retard chamber and monitoring | 16 bar (232 psi) working pressure



Connection	Size	Type	Part number
Groove-Groove	3"/DN80	89 mm	850551
	4"/DN100	114 mm	850564
	6"/DN150	168 mm	850577
	8"/DN200	219 mm	850590

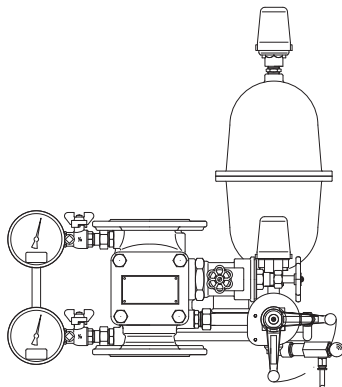
NMX Wet Alarm Valve Systems with Direct Alarm

FM/CE/VdS | Includes PMA alarm pressure switch | 16 bar (232 psi) working pressure



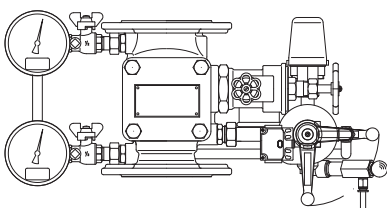
Connection	Size	Type	Part number
Groove-Groove	3"/DN80	89 mm	850552
	4"/DN100	114 mm	850565
	6"/DN150	168 mm	850578
	8"/DN200	219 mm	850591

FM/CE/VdS | Includes PMA alarm pressure switch with retard chamber | 16 bar (232 psi) working pressure



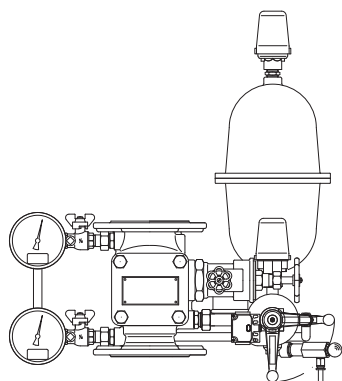
Connection	Size	Type	Part number
Groove-Groove	3"/DN80	89 mm	850553
	4"/DN100	114 mm	850566
	6"/DN150	168 mm	850579
	8"/DN200	219 mm	850593

FM/CE/VdS | Includes PMA alarm pressure switch with monitoring | 16 bar (232 psi) working pressure



Connection	Size	Type	Part number
Groove-Groove	3"/DN80	89 mm	850554
	4"/DN100	114 mm	850568
	6"/DN150	168 mm	850581
	8"/DN200	219 mm	850594

FM/CE/VdS | Includes PMA alarm pressure switch with retard chamber and monitoring | 16 bar (232 psi) working pressure



Connection	Size	Type	Part number
Groove-Groove	3"/DN80	89 mm	850556
	4"/DN100	114 mm	850569
	6"/DN150	168 mm	850582
	8"/DN200	219 mm	850595



J-1 Wet Valves

UL/FM/CE/LPCB | 21 bar (300 psi) working pressure



Connection	Size	Type	Part number
Flange-Flange	3"/DN80	ANSI	08235
		PN16	09108
	4"/DN100	ANSI	08238
		PN16	09109
	6"/DN150	ANSI/PN16	08241
	8"/DN200	ANSI	08244
PN10		09111	
Flange-Groove	3"/DN80	ANSI	08236
		PN16	09535
	4"/DN100	ANSI	08239
		PN16	09536
	6"/DN150 (168mm)	ANSI/PN16	08242
		ANSI	08245
8"/DN200	PN10	09877	
	PN16	12389	
Groove-Groove	3"/DN80	89mm	08237
	4"/DN100	114 mm	08240
	6"/DN150	165 mm	09405
		168 mm	08243
8"/DN200	219 mm	08246	

UL/FM Trim - Unassembled
Does not include retard chamber or alarm pressure switch

Size	Part number
3"/DN80	08633
4"/DN100	08634
6"/DN150	08635
8"/DN200	08636

NMX Wet Valves

FM/CE/VdS | 16 bar (232 psi) working pressure



Connection	Size	Type	Part number
Groove-Groove	3"/DN80	89 mm	845358
	4"/DN100	114 mm	845359
	6"/DN150	168 mm	845360
	8"/DN200	219 mm	845361

J-1 Eurotrim Components

Product	Size	Connection	Part number
	1/2"/DN15 x 3/4"/DN20	Threaded	05904B
	1/2"/DN15	Threaded	07862
	1/2"/DN15	Threaded	916289
	1/2"/DN15	Threaded NPT	S95015L
	3/8"/DN10	Threaded BSP/NPT	R850D0037
	1/2"/DN15		R850D0050
	3/4"/DN20		R850D0075
	1"/DN25		R850D0100
	1-1/4"/DN32	Threaded BSP	R850D0125
	1-1/2"/DN40		R850D0150
	2"/DN50		R850D0200
	2-1/2"/DN65		R850D0250
	3"/DN80		R850D0300
4"/DN100	R850D0400		
	3/4"/DN 20	Threaded	10870
	1/2"/DN15	Threaded	KT403W050
	1/2"/DN15	Threaded	11906
	1/2"/DN15	Threaded	09322/5.5
	1/2"/DN15	Threaded	10912



J-1 Eurotrim Components

	Product	Size	Connection	Part number
	Restricted orifice - Alarm test - 13.5 mm	3/4"/DN20	Threaded	19406
	Side outlet gauge valve	1/4"/DN8	Threaded	03952A
	Water pressure gauge 20.7 bar (300 psi)	1/4"/DN8	Threaded	VWATERSF
	Ball valve monitoring switch	-	-	828482
	Ball valve monitoring switch Bracket	-	-	812196
	Sign - Alarm test	-	-	SAT
	Sign - Auxiliary drain	-	-	SAD
	Sign - Control valve	-	-	SCV
	Sign - Inspector's test	-	-	SIT
	Sign - Main drain	-	-	SMD
	Clapper rubber Model J-1	3"/DN80	-	08070
		4"/DN100	-	08072
		6"/DN150	-	08073
		8"/DN200	-	08075
	Coverplate gasket Model J-1	3"/DN80	-	05354B
		4"/DN100	-	04649B
		6"/DN150	-	04992B
		8"/DN200	-	05339C
	Rubber kit - Contains clapper rubber, retaining bolt & coverplate gasket Model J-1	3"/DN80	-	08522
		4"/DN100	-	08523
		6"/DN150	-	08524
		8"/DN200	-	08525
	Clapper assembly - Contains clapper & clapper rubber Model J-1	3"/DN80	-	08518
		4"/DN100	-	08519
		6"/DN150	-	08520
		8"/DN200	-	08521
	Touch-up red paint for Viking valves - Spray can	-	-	10033

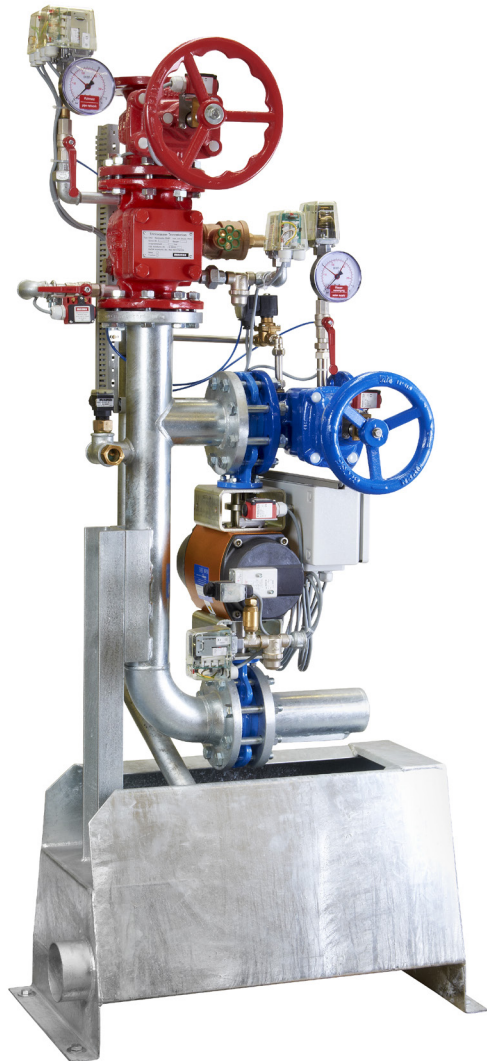
NMX Trim Components

	Product	Size	Connection	Part number
	Water motor alarm Model AG-2	1/2"/DN15	Threaded	916289
	Test & drain valve Model G-2 K42	2"/DN50	Threaded	884049
	Swing check valve	1/2"/DN15	Threaded	823745
	Strainer	1/2"/DN15	Threaded	880056
	Drain valve Model K2-20	1/2"/DN15	Threaded	845951
	Water pressure gauge	1/2"/DN15	Threaded	126303
	Sign - Alarm Shut-off	-	-	773740
	Sign - Operating Instructions	-	-	845668
	Printed Manual - English	-	-	841667
	Printed Manual - German	-	-	840289
	Valve head gasket Model NMX	3"/DN80	-	884190
		4"/DN100	-	884207
		6"/DN150	-	884219
		8"/DN200	-	884220
	Gasket kit Model NMX, consisting of: - Inspection cover gasket - Valve head gasket - O-rings 18 x 2,5	3"/DN80	-	846543
		4"/DN100	-	846544
		6"/DN150	-	846545
		8"/DN200	-	846546



Town Water Connection

DAS Town water connection | VdS/DVGW



Approvals	VdS, DVGW
Max. working pressure	12.0 bar (175 psi)
Material (Body)	Ductile iron
Sizes	3" (DN80)
Types	Groove-Groove
Finishes	Painted red

Size	Connection	Type	Configuration	Part number
3"/DN80	Grooved	PN16	Right feed for wet alarm	860711
3"/DN80	Grooved	PN16	Left feed for wet alarm	857124



The Town water connection includes a pre-programmed fire extinguishing panel FMZ 5000



Europe, Middle East & Africa

BENELUX

Viking SupplyNet bv
Eekboerstraat 28b-3
NL-7575 AX Oldenzaal
Netherlands
Tel.: +31 (0)541 573233
vikingnetherlands@viking-emea.com

CENTRAL & EASTERN EUROPE

Viking GmbH
Industriestr. 10/12
D-23840 Bad Oldesloe
Germany
Tel.: +49 (0)4531 803 8087
vikinggermany@viking-emea.com

FRANCE

Sprinkler Viking France S.à r.l.
Centre d'Affaires CESCO
4, rue Marconi
BP 25180
F-57075 Metz Cedex 03
France
Tel.: +33 (0)800 10 29 23
vikingfrance@viking-emea.com

IBÉRICA

Viking Sprinkler S.A.
Calle Picos de Europa 4A
San Fernando de Henares
E-28830 Madrid
Spain
Tel.: +34 91 677 8352
vikingiberica@viking-emea.com

ITALY

Viking Italia S.r.l.
Via Pavia, 76
I-27042 Bressana Bottarone (PV)
Italy
Tel.: +39-(0)2- 30550778
vikingitaly@viking-emea.com

MIDDLE EAST

Viking Arabia FZE
LOB 19 Office #2007
Post Box No. 17531
Jebel Ali Free Zone, Dubai
United Arab Emirates
Tel.: +971 (0)4 8895 561
vikingdubai@viking-emea.com

NORDIC

Viking Nordic AB
Staffans Väg 5
S-192 78 Sollentuna
Sweden
Tel.: +46 (0)8 594 415 90
vikingsweden@viking-emea.com

POLAND

Viking SupplyNet Sp. z o.o.
ul. Żelazna 59
PL-00 848 Warsaw
Poland
Tel.: +48 22 103 30 54
vikingpoland@viking-emea.com

ROMANIA & BULGARIA

Viking Romania S.r.l.
Strada Vulturilor 18-18A, cam 3
The LOBBY
RO-030855 Bucharest
Romania
Tel.: +40 21 311 51 48
vikingromania@viking-emea.com

TURKEY

Viking Turkey Yangın Korunum Sistemleri Ticaret A.Ş.
Sahrayıcedit Mah. Halk Sokak
Golden Plaza C Blok No:29, Kat:4, Daire:8
Sahrayı Cedit, Kadıköy - 34734 İstanbul
Turkey
Tel.: +90 (0)216 403 18 00
vikingturkey@viking-emea.com

UK & IRELAND

Viking SupplyNet Ltd.
Unit 2 - Byram House, Newborn Court
Chapel Street
Epworth DN9 1HQ
United Kingdom
Tel.: +44 (0)1427 871 000
vikinguk@viking-emea.com

For further information,
please visit
www.viking-emea.com



For further information, please contact your local Viking sales office or refer to the technical documentation.
The contents of this publication are subject to modifications without notice.

Photo
Cover: Fotolia © leungchopan

Trusted above all.

Viking S.A. | 21, Z.I. Haneboesch, L-4562 Differdange / Niederborn, Luxembourg | Tel.: +352 58 37 37 - 1, vikinglux@viking-emea.com

